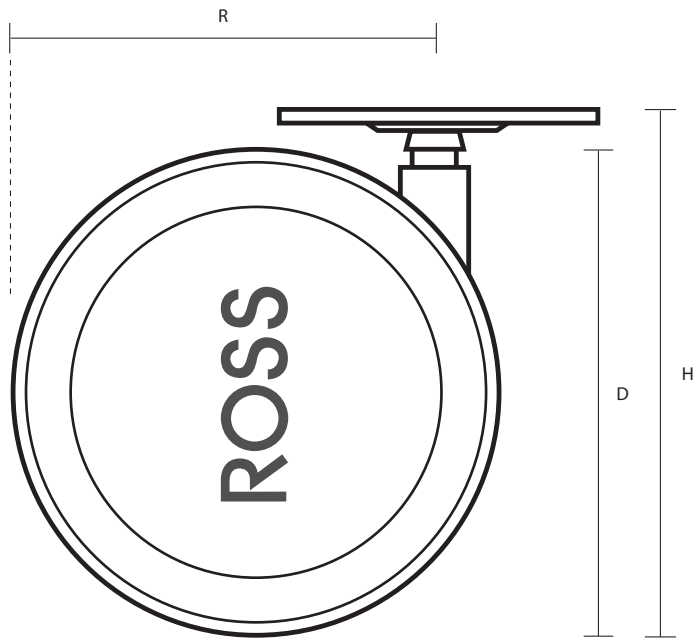
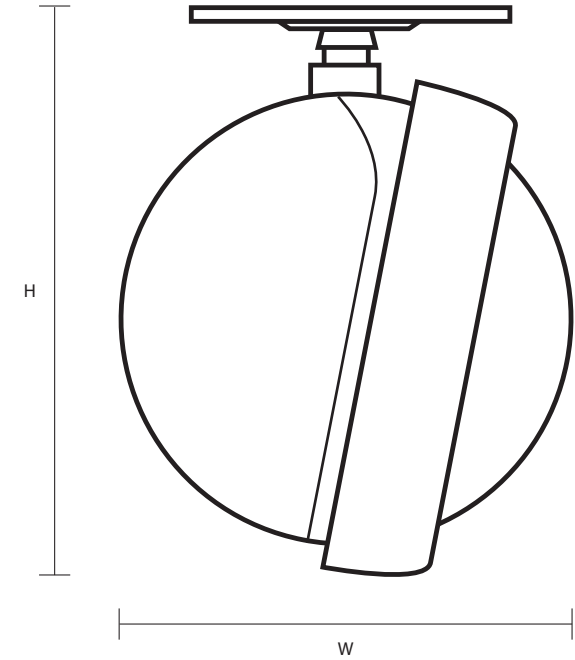
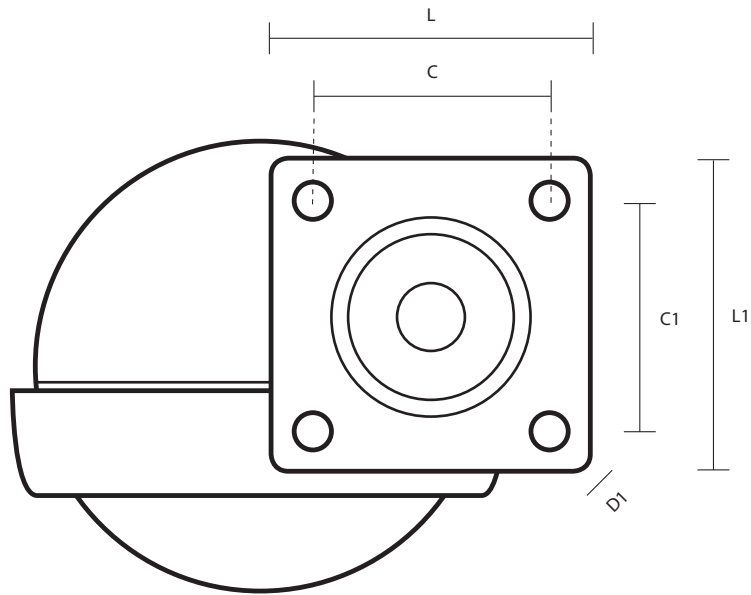


SHEP No. 41 (50mm Beige Finish Shepherd Ball Castor With Top Plate Fitting)



Castor Dimensions - Key		
D	Wheel Diameter	50mm
L	Plate Dimension Length (mm)	38mm
L1	Plate Dimension Width (mm)	38mm
C	Plate Hole Centers length (mm)	25.4mm
C1	Plate Hole Centers width (mm)	25.4mm
D1	Plate Hole Diameter (mm)	6mm
H	Total Castor Height	56mm
W	Tread Width (mm)	N/A
R	Swivel Radius (mm)	N/A